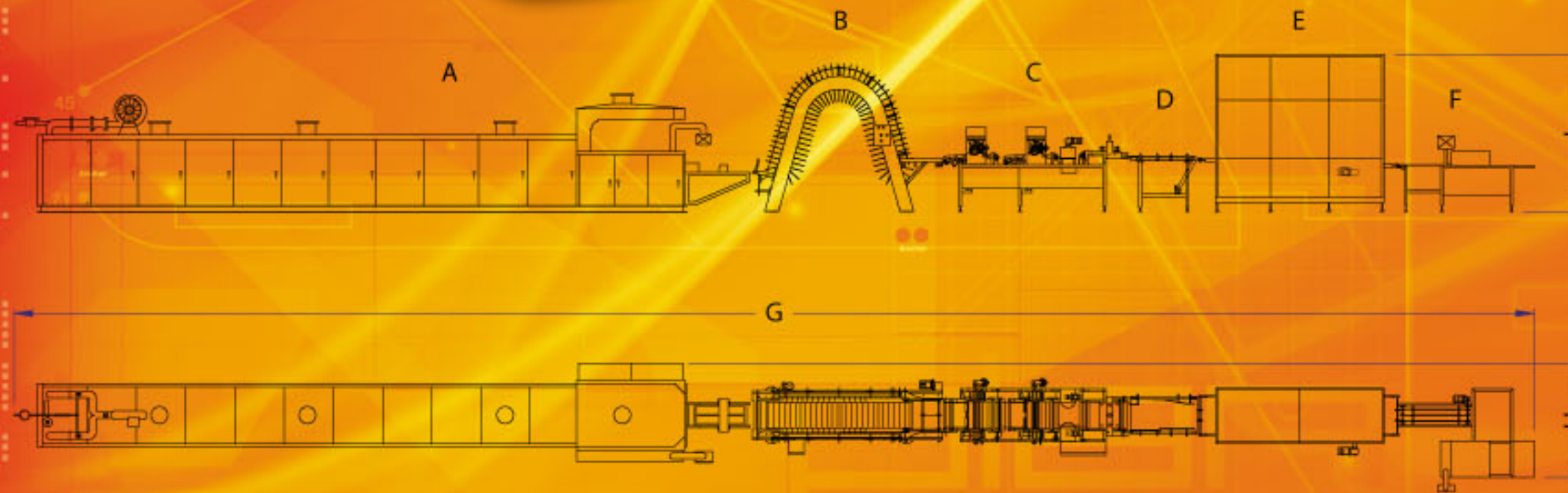


FULL AUTOMATIC WAFER BAKING processing machine

PT. JUPITER MITRA SETIA 



TYPE	NAME OF MACHINE	WB-42-JMS			WB-60-JMS		
		LENGTH	WIDTH	HEIGHT	LENGTH	WIDTH	HEIGHT
A	THERMO-WAFER BAKING MACHINE	9670mm	1560mm	2150mm	13950mm	1870mm	2230mm
B	ARC COOLER WAFER	3500mm	1250mm	2810mm	3600mm	1420mm	2810mm
C	CONTACT SPREADING MACHINE	2640mm	1200mm	1610mm	3500mm	1450mm	1610mm
D	WAFER BOOK REVERSE CONVEYOR	1000mm	700mm	1100mm	1300mm	800mm	1100mm
E	WAFER BOOK COOLING PRESS	3510mm	1130mm	2190mm	3800mm	1280mm	2980mm
F	BLADE-TYPE CUTTING MACHINE	2380mm	1680mm	1150mm	2550mm	1680mm	1150mm
		G	H	I	G	H	I
		22800mm	2080mm	2810mm	28800mm	2170mm	2980mm

FULL AUTOMATIC WAFER BAKING processing machine

PT. JUPITER MITRA SETIA 

THERMO-WAFER BAKING MACHINE



TECHNICAL DATA

Type Machine : WB-60-JMS
 Number of baking plates : 60 Pcs
 Output Capacity : 30 Sheet/Minute
 Wafer Mould Dimensions : 490 x 350 mm
 Control Panel : PLC + Touch Screen
 Dimension (mm) : 13950 x 1870 x 2230
 Weight (kg) : ± 22000

ARC COOLER WAFER



TECHNICAL DATA

Type Machine : WSCM-45-JMS
 Output Capacity (Max) : 45 Sheet/Minute
 Electric Load (Kw) : 0.75
 Dimension (mm) : 3600 x 1420 x 2810
 Weight (kg) : ± 1500

CONTACT SPREADING MACHINE



TECHNICAL DATA

Type Machine : CSM-490-JMS
 Output Capacity (Max) : 30 Sheet/Minute
 Stacker System : Spiral Stacker
 Electric Load (Kw) : 2.5
 Dimension (mm) : 3500 x 1450 x 1610
 Weight (kg) : ± 1500

WAFFER BOOK REVERSE CONVEYOR



TECHNICAL DATA

Type Machine : WBRC-800-JMS
 Body Frame : Mild Steel
 Belt Conveyor : Polyurethane White Food Grade
 Dimension (mm) : 1300 x 800 x 1100
 Weight (kg) : ± 220

WAFFER BOOK COOLING PRESS



TECHNICAL DATA

Type Machine : WBCP-108-JMS
 Number of Cooling Tong : 108 Pcs
 Filled Cooling Unit : 71 Pcs
 Electric Load (Kw) : 7.5
 Dimension (mm) : 3800 x 1280 x 2980
 Weight (kg) : ± 1350

BLADE-TYPE CUTTING MACHINE



TECHNICAL DATA

Type Machine : BCM-12-JMS
 Stacking Books Up To : 4 Books Wafer
 Control Panel : PLC + Touch Screen
 Electric Load (Kw) : 0.75
 Dimension (mm) : 2550 x 1680 x 1150
 Weight (kg) : ± 1100

WAFFER DISTRIBUTION DEVICE

OPTIONAL



TECHNICAL DATA

Type Machine : WDD-490-JMS
 Body Frame : Stainless Steel 304
 Dimension (mm) : 2200 x 1230 x 1000

WAFFER BOOK TURN DEVICE

OPTIONAL



TECHNICAL DATA

Type Machine : WBTD-490-JMS
 Body Frame : Stainless Steel 304
 Dimension (mm) : 1000 x 860 x 1270

WAFFER BATTER MIXING PLANT

OPTIONAL



TECHNICAL DATA

Type Machine : WBMP-260-JMS
 Tank Dimension (mm) : Ø 650 x 780
 Capacity Tank : 260 Lt
 Connected Load : 6 Kw
 Dimension (mm) : 2650 x 1500 x 2770

